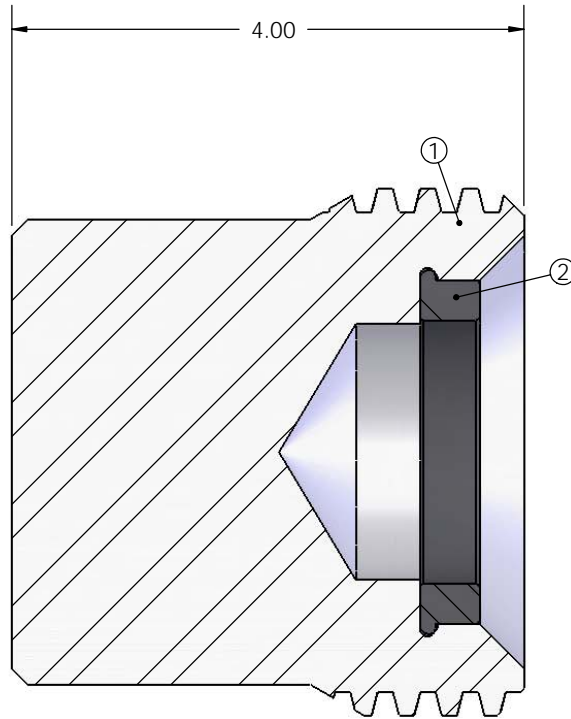
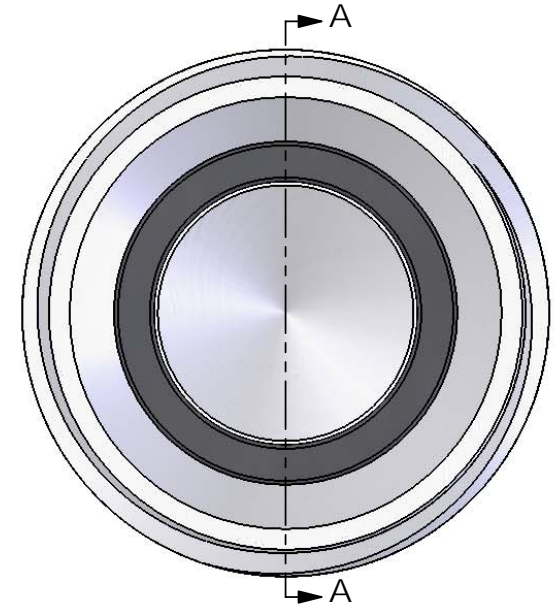


ITEM NO.	PART NUMBER	DESCRIPTION	QTY.
1	BB2CF-S01	BLANK BODY, 2"1502 FEMALE STD 15K	1
2	USR2-S01	SEAL RING, 2"602/1002/1502 STD BUNA 90	1



SECTION A-A



DRAWING STANDARDS:

DIMENSION UNITS ARE INCHES

- ALL CORNER RADII R0.30
- BREAK ALL EDGES 0.015 X 45° OR R.015
- HIGBEE ALL ACME THREADS TO FULL WIDTH
- REFERENCE DIMENSIONS ARE IN PARENTHESIS
- MACHINED SURFACES ARE 125 Ra
- ALL DIAMETERS CONCENTRIC AND ROUND TO ± 0.005
- TOLERANCES: .XX ±0.015 $\leq \pm 0.5^\circ$
.XXX ±0.005 $\leq \pm 0.5^\circ$

$\angle \pm 0.5^\circ$ // PARALLELISM TOLERANCES: .XX ±0.015
 ○ ROUNDNESS ⊥ PERPENDICULARITY .XXX ±0.005
 ◎ CONCENTRICITY ↗ RUNOUT $\leq \pm 0.5^\circ$
 ⊕ CYLINDRICITY ⊔ COUNTERBORE UNLESS OTHERWISE STATED
 ▱ FLATNESS ∨ COUNTERSINK

ECN NO:	CHANGES INCLUDE:		
ECN DATE:			
MATERIAL SPEC:	TITLE: BLANK ASSY, 2"1502 FEMALE STD 15K		REVISION: 0
RAW MATERIAL DESC:	DWG NO. BA2CF-S01		DATE: 10/3/2006
WEIGHT: 10.32	DRAWN BY: KB	CHK'D: JF	APP'V'D: SR
			SHEET 1 OF 1

DO NOT SCALE DRAWING

THIS DRAWING IS PROPRIETARY AND CONFIDENTIAL PROPERTY. THIS DOCUMENT CANNOT BE REPRODUCED OR DISTRIBUTED WITHOUT THE WRITTEN CONSENT OF PHOINIX GLOBAL LLC.