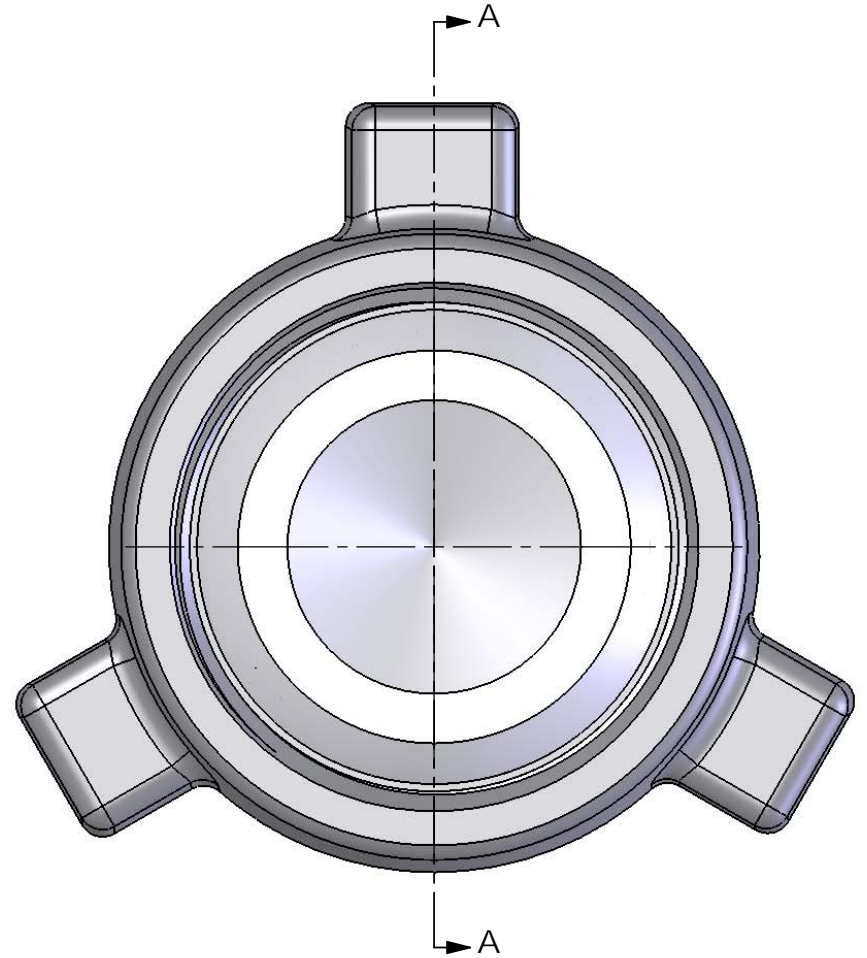


SECTION A-A  
SCALE 1 : 2



DRAWING STANDARDS:

- 1. ALL CORNER RADII R0.30
- 2. BREAK ALL EDGES 0.015 X 45° OR R.015
- 3. HIGBEE ALL ACME THREADS TO FULL WIDTH
- 4. REFERENCE DIMENSIONS ARE IN PARENTHESIS
- 5. MACHINED SURFACES ARE 125 Ra
- 6. ALL DIAMETERS CONCENTRIC AND ROUND TO ± 0.005
- 7. TOLERANCES: .XX ± 0.015 <math>\leq \pm 0.5^\circ</math>  
.XXX ± 0.005

- <math>\angle \pm 0.5^\circ</math>
- ROUNDNESS
- ◎ CONCENTRICITY
- ⊘ CYLINDRICITY
- ▭ FLATNESS
- ∥ PARALLELISM
- ⊥ PERPENDICULARITY
- ↗ RUNOUT
- COUNTERBORE
- ∨ COUNTERSINK

TOLERANCES: .XX ± 0.015  
.XXX ± 0.005  
<math>\leq \pm 0.5^\circ</math>  
UNLESS OTHERWISE STATED

ECN NO:	CHANGES INCLUDE:		
ECN DATE:			
MATERIAL SPEC:	TITLE: BLANK ASSY, 3*1502 MALE STD 15K		REVISION: 0
RAW MATERIAL DESC:	DWG NO. BA3CM-S01		DATE: 7/30/2008
WEIGHT: 34.35	DRAWN BY: SR	CHK'D: JF	APP'V'D: KB
			SHEET 1 OF 1

DO NOT SCALE DRAWING

THIS DRAWING IS PROPRIETARY AND CONFIDENTIAL PROPERTY. THIS DOCUMENT CANNOT BE REPRODUCED OR DISTRIBUTED WITHOUT THE WRITTEN CONSENT OF PHOINIX GLOBAL LLC.