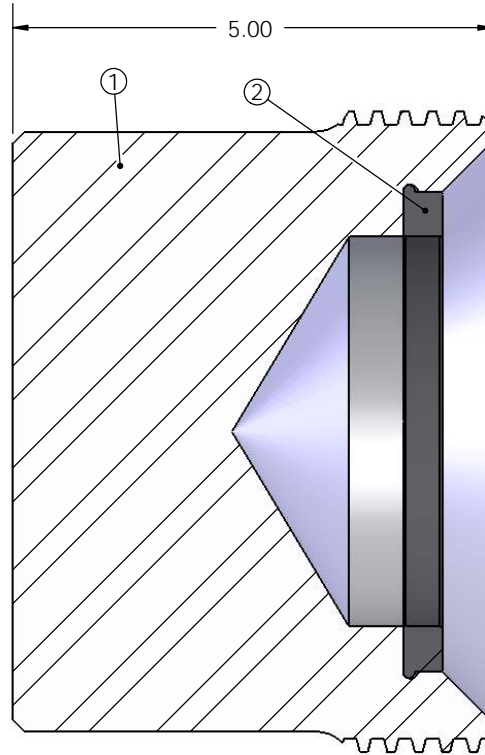
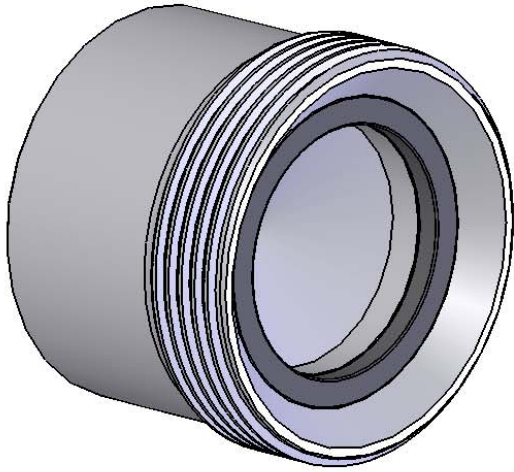
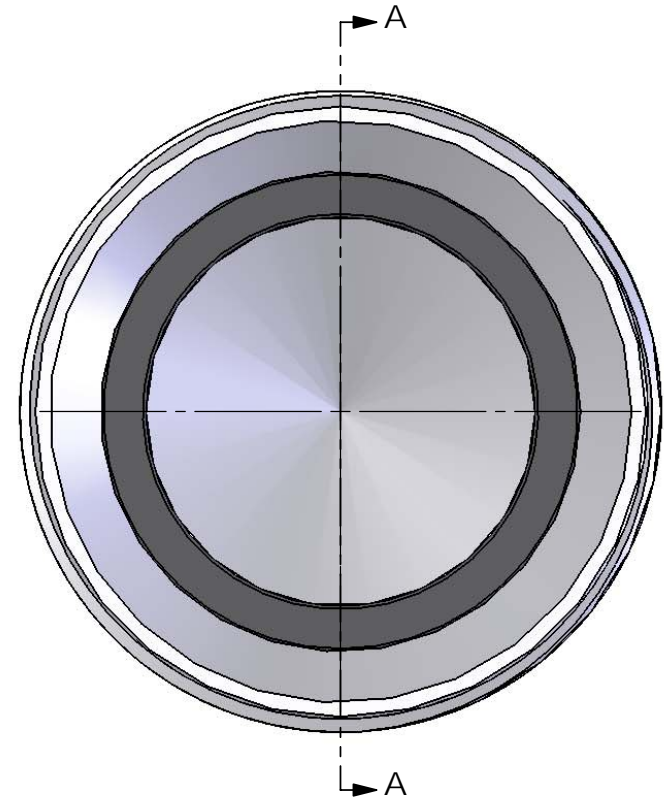


ITEM NO.	PART NUMBER	DESCRIPTION	QTY.
1	BB4CF-S01	BLANK BODY, 4"1502 FEMALE STD 15K	1
2	USR4-S01	SEAL RING, 4"602/1002/1502 STD BUNA 90	1



SECTION A-A
SCALE 1 : 2



DRAWING STANDARDS:

DIMENSION UNITS ARE INCHES

1. ALL CORNER RADII R0.30
2. BREAK ALL EDGES 0.015 X 45° OR R.015
3. HIGBEE ALL ACME THREADS TO FULL WIDTH
4. REFERENCE DIMENSIONS ARE IN PARENTHESIS
5. MACHINED SURFACES ARE 125 Ra
6. ALL DIAMETERS CONCENTRIC AND ROUND TO ± 0.005
7. TOLERANCES: .XX ±0.015 < ±0.5°
.XXX ±0.005

< ±0.5°

○ ROUNDNESS

◎ CONCENTRICITY

⊘ CYLINDRICITY

▭ FLATNESS

// PARALLELISM

⊥ PERPENDICULARITY

↗ RUNOUT

⊥ COUNTERBORE

∨ COUNTERSINK

TOLERANCES: .XX ±0.015
.XXX ±0.005
< ±0.5°
UNLESS OTHERWISE STATED

ECN NO:

CHANGES INCLUDE:

ECN DATE:

MATERIAL SPEC:

RAW MATERIAL DESC:

WEIGHT: 35.05

TITLE: BLANK ASSY, 4"1502 FEMALE STD 15K

DWG NO. BA4CF-S01

DRAWN BY: SR

CHK'D: JF

APP'V'D: KB

REVISION:

0

DATE:

7/30/2008

SHEET 1 OF 1

DO NOT SCALE DRAWING

THIS DRAWING IS PROPRIETARY AND CONFIDENTIAL PROPERTY. THIS DOCUMENT CANNOT BE REPRODUCED OR DISTRIBUTED WITHOUT THE WRITTEN CONSENT OF PHOINIX GLOBAL LLC.