

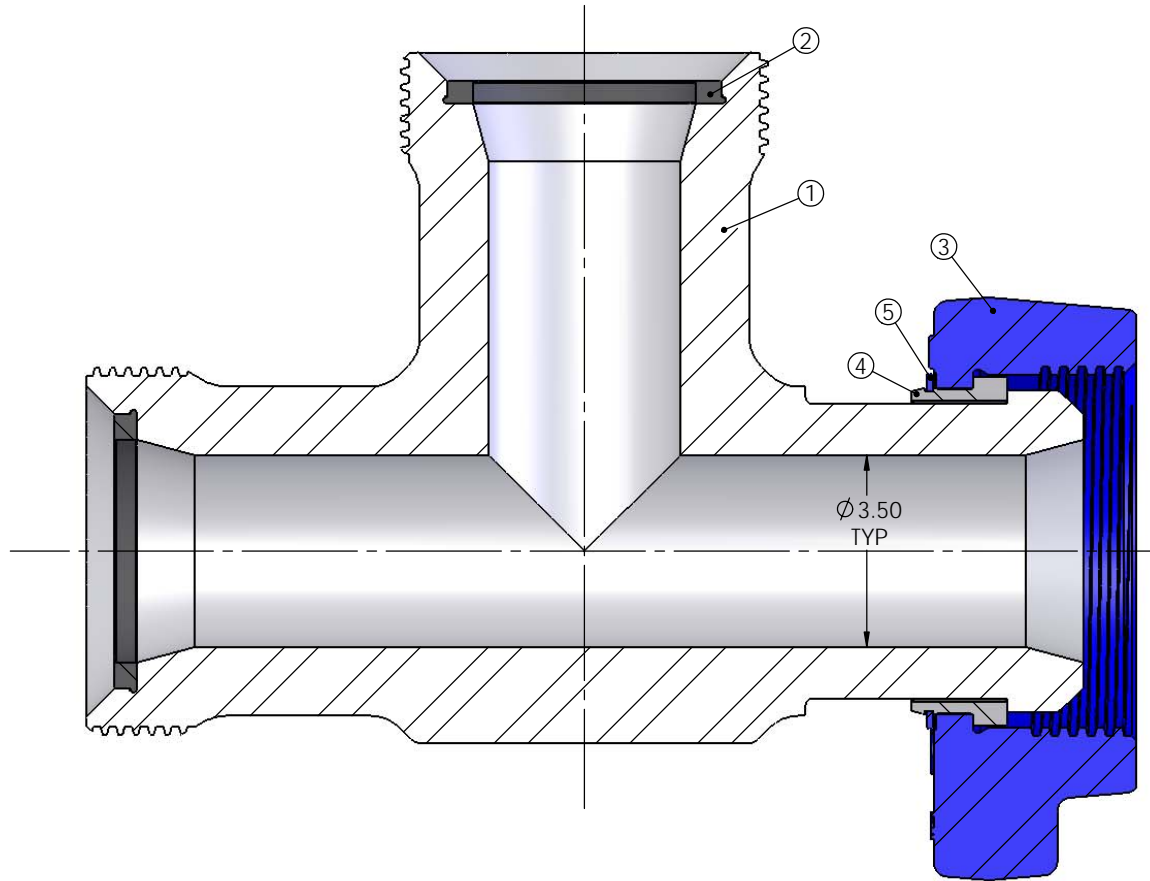
DRAWING STANDARDS:	
DIMENSION UNITS ARE INCHES	$\angle \pm 0.5^\circ$ // PARALLELISM \bigcirc ROUNDNESS \perp PERPENDICULARITY \odot CONCENTRICITY \searrow RUNOUT C CYLINDRICITY \sqcup COUNTERBORE \square FLATNESS ∇ COUNTERSINK
1. ALL CORNER RADII R0.30 2. BREAK ALL EDGES 0.015 X 45° OR R.015 3. HIGBEE ALL ACME THREADS TO FULL WIDTH 4. REFERENCE DIMENSIONS ARE IN PARENTHESIS 5. MACHINED SURFACES ARE 125 Ra 6. ALL DIAMETERS CONCENTRIC AND ROUND TO ± 0.005 7. TOLERANCES: .XX ± 0.015 $\angle \pm 0.5^\circ$.XXX ± 0.005	TOLERANCES: .XX ± 0.015 .XXX ± 0.005 $\angle \pm 0.5^\circ$ UNLESS OTHERWISE STATED

ECN NO:	CHANGES INCLUDE:		REVISION:
ECN DATE:			0
MATERIAL SPEC:	TITLE: TEE, 4"1502 FFM STD 15K	DATE:	
RAW MATERIAL DESC:	DWG NO. FTAC4FFM-S01	5/10/2006	
WEIGHT: 175.15	DRAWN BY: SR	CHK'D: JF	APP'VD: KB
			SHEET 1 OF 2

DO NOT SCALE DRAWING

THIS DRAWING IS PROPRIETARY AND CONFIDENTIAL PROPERTY. THIS DOCUMENT CANNOT BE REPRODUCED OR DISTRIBUTED WITHOUT THE WRITTEN CONSENT OF PHOINIX GLOBAL LLC.

ITEM NO.	PART NUMBER	DESCRIPTION	QTY.
1	FTBC4FFM-S01	TEE BODY, 4"1502 FFM STD 15K	1
2	USR4-S01	SEAL RING, 4"602/1002/1502 STD BUNA 90	2
3	UWN-4C-D-S	WINGNUT, 4"1502 STD 15K DETACHABLE	1
4	UNRC4	NUT RETAINER, 4"1502	1
5	URRC4	RETAINER RING, 4"1502	1



SECTION A-A



DRAWING STANDARDS:

DIMENSION UNITS ARE INCHES

1. ALL CORNER RADII R0.30
2. BREAK ALL EDGES 0.015 X 45° OR R.015
3. HIGBEE ALL ACME THREADS TO FULL WIDTH
4. REFERENCE DIMENSIONS ARE IN PARENTHESIS
5. MACHINED SURFACES ARE 125 Ra
6. ALL DIAMETERS CONCENTRIC AND ROUND TO ± 0.005
7. TOLERANCES: .XX ± 0.015 < ± 0.5°
.XXX ± 0.005

< ± 0.5°

○ ROUNDNESS

◎ CONCENTRICITY

⊘ CYLINDRICITY

▭ FLATNESS

// PARALLELISM

⊥ PERPENDICULARITY

↗ RUNOUT

⊥ COUNTERBORE

∨ COUNTERSINK

TOLERANCES: .XX ± 0.015

.XXX ± 0.005

< ± 0.5°

UNLESS OTHERWISE STATED

ECN NO:

CHANGES INCLUDE:

ECN DATE:

MATERIAL SPEC:

RAW MATERIAL DESC:

WEIGHT: 175.15

TITLE: TEE, 4"1502 FFM STD 15K

DWG NO. FTAC4FFM-S01

DRAWN BY: SR

CHK'D: JF

APPV'D: KB

REVISION:

0

DATE:

5/10/2006

SHEET 2 OF 2

DO NOT SCALE DRAWING

THIS DRAWING IS PROPRIETARY AND CONFIDENTIAL PROPERTY. THIS DOCUMENT CANNOT BE REPRODUCED OR DISTRIBUTED WITHOUT THE WRITTEN CONSENT OF PHOINIX GLOBAL LLC.