

DRAWING STANDARDS:

DIMENSION UNITS ARE INCHES

1. ALL CORNER RADII R0.30
2. BREAK ALL EDGES 0.015 X 45° OR R.015
3. HIGBEE ALL ACME THREADS TO FULL WIDTH
4. REFERENCE DIMENSIONS ARE IN PARENTHESIS
5. MACHINED SURFACES ARE 125 Ra
6. ALL DIAMETERS CONCENTRIC AND ROUND TO ± 0.005
7. TOLERANCES: .XX ± 0.015 $\leq \pm 0.5^\circ$
.XXX ± 0.005 $\leq \pm 0.5^\circ$

- $\leq \pm 0.5^\circ$
- ROUNDNESS
- ◎ CONCENTRICITY
- ⊘ CYLINDRICITY
- ▭ FLATNESS
- ∥ PARALLELISM
- ⊥ PERPENDICULARITY
- ↗ RUNOUT
- ▭ COUNTERBORE
- ∨ COUNTERSINK

TOLERANCES: .XX ± 0.015
.XXX ± 0.005
$\leq \pm 0.5^\circ$
UNLESS OTHERWISE STATED

ECN NO:

CHANGES INCLUDE:

ECN DATE:

MATERIAL SPEC:

RAW MATERIAL DESC:

WEIGHT: 143.96

TITLE: VALVE-LT, 2"x2 1/16" FLG 15K H2S ACTUATED (HYD)

DWG NO. VA2L-F2C-AH-H01

DRAWN BY: SR CHK'D: JF APP'V'D: KB

REVISION:

0

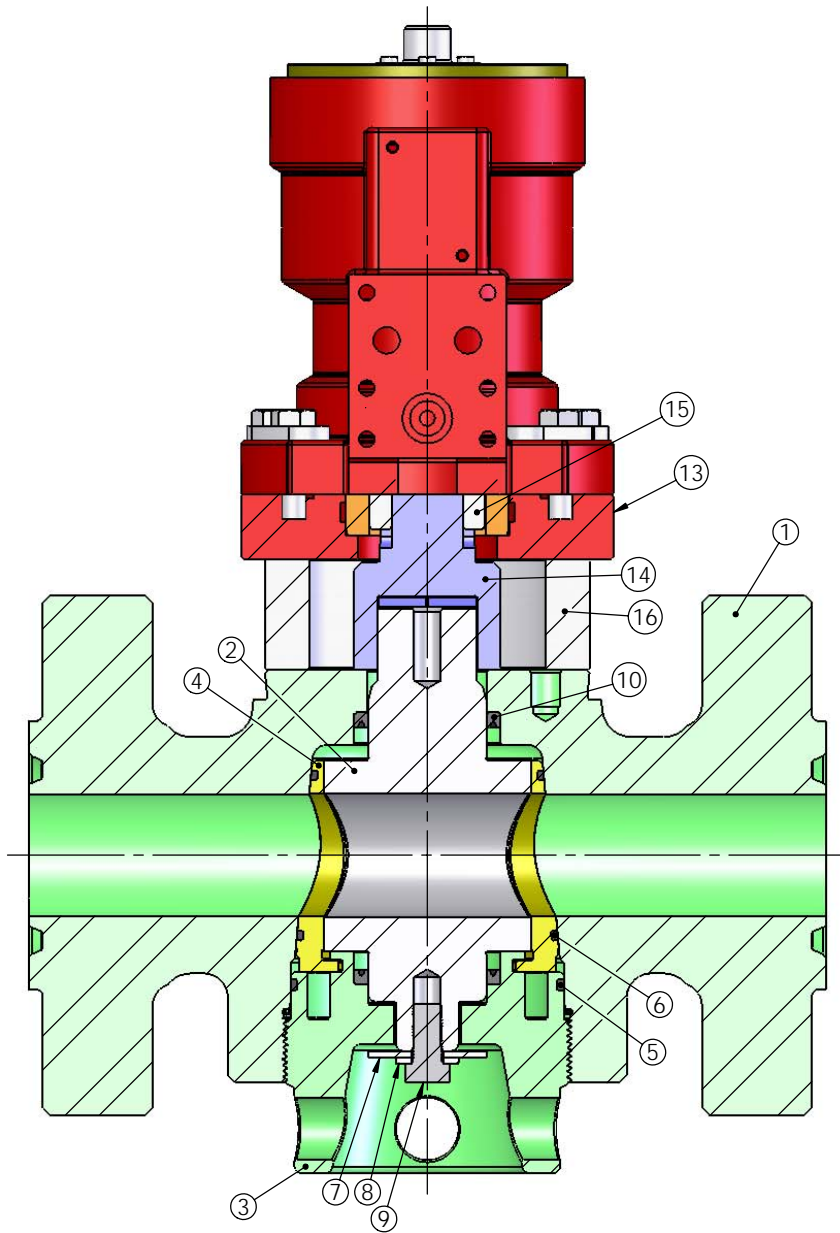
DATE:

2/8/2008

SHEET 1 OF 2

DO NOT SCALE DRAWING

THIS DRAWING IS PROPRIETARY AND CONFIDENTIAL PROPERTY. THIS DOCUMENT CANNOT BE REPRODUCED OR DISTRIBUTED WITHOUT THE WRITTEN CONSENT OF PHOENIX GLOBAL LLC.



ITEM NO.	PART NUMBER	DESCRIPTION	QTY.
1	VB2L-F2C-H01	VLV BODY-LT, 2"x2 1/16 FLG 15K H2S	1
2	VP2L-S01	VALVE PLUG, 2"LT H2S	1
3	VAN2L-H01	VALVE ADJUSTING NUT, 2" H2S	1
4	VIN2L-H01	VALVE INSERT, 2"LT H2S	1
5	VOR2L-A-H01	VALVE O-RING, 2" H2S VITON 90 (ADJ NUT)	1
6	VOR2L-I-H01	VALVE O-RING, 2" H2S VITON 90 (INSERT)	2
7	F-WFF-0.500	WASHER, FLAT FENDER 1/2"	1
8	F-WFS-0.500	WASHER, FLAT STD 1/2"	1
9	F-HHC0.50-20X1.00-G8	CAP SCREW, HEX HD 1/2"-20 x 01.00"LONG	1
10	VPS2L-H01	VALVE PLUG SEAL, 2" & 3" H2S STAINLESS HSN 90	2
11	F-RP0.313X0.75	ROLL PIN, 5/16"DIA x 3/4"LONG (PLAIN STEEL)	2
12	GF001	GREASE FITTING, 3/4"-10 GIANT BUTTON HEAD H2S	1
13	AC-BRC1000	ACTUATOR, DANFOSS BRC1000 w/MOUNTING	1
14	AA-HEXB01	ACT ADAPTER, HEX "B" TO 1.88" SHAFT/KEYWAY	1
15	F-KS0.375X2.00	KEY STOCK, 3/8" x 2.00"LONG	2
16	AP002	ACTUATOR PLATE, DANFOSS BRC1000 2" HEX	1
17	F-SHC0.38-16X2.75-G5	CAP SCREW, SOC HD 3/8"-16 x 02.75"LONG	4
18	F-WLH-0.38	WASHER, LOCKING HIGH-COLLAR 3/8"	4

DRAWING STANDARDS:

DIMENSION UNITS ARE INCHES

1. ALL CORNER RADII R0.03
2. BREAK ALL EDGES 0.015 X 45° OR R.015
3. HIGBEE ALL ACME THREADS TO FULL WIDTH
4. REFERENCE DIMENSIONS ARE IN PARENTHESIS
5. MACHINED SURFACES ARE 125 Ra
6. ALL DIAMETERS CONCENTRIC AND ROUND TO ± 0.005
7. TOLERANCES: .XX ± 0.015 < ± 0.5°
.XXX ± 0.005

- < ± 0.5°
- ROUNDNESS
- ◎ CONCENTRICITY
- ⊘ CYLINDRICITY
- ▭ FLATNESS
- ∥ PARALLELISM
- ⊥ PERPENDICULARITY
- ↗ RUNOUT
- COUNTERBORE
- ∨ COUNTERSINK

TOLERANCES: .XX ± 0.015
.XXX ± 0.005
< ± 0.5°
UNLESS OTHERWISE STATED



DO NOT SCALE DRAWING

THIS DRAWING IS PROPRIETARY AND CONFIDENTIAL PROPERTY. THIS DOCUMENT CANNOT BE REPRODUCED OR DISTRIBUTED WITHOUT THE WRITTEN CONSENT OF PHOINIX GLOBAL LLC.

ECN NO:	CHANGES INCLUDE:		
ECN DATE:			
MATERIAL SPEC:	TITLE: VALVE-LT, 2"x2 1/16" FLG 15K H2S ACTUATED (HYD)	REVISION:	0
RAW MATERIAL DESC:	DWG NO. VA2L-F2C-AH-H01	DATE:	2/8/2008
WEIGHT: 143.96	DRAWN BY: SR	CHK'D: JF	APP'VD: KB
			SHEET 2 OF 2