

DRAWING STANDARDS:

- 1. ALL CORNER RADII R0.03
- 2. BREAK ALL EDGES 0.015 X 45° OR R.015
- 3. HIGBEE ALL ACME THREADS TO FULL WIDTH
- 4. REFERENCE DIMENSIONS ARE IN PARENTHESIS
- 5. MACHINED SURFACES ARE 125 Ra
- 6. ALL DIAMETERS CONCENTRIC AND ROUND TO ± 0.005
- 7. TOLERANCES: .XX ± 0.015 $\leq \pm 0.5^\circ$
.XXX ± 0.005

- $\leq \pm 0.5^\circ$
- \parallel PARALLELISM
- \bigcirc ROUNDNESS
- \perp PERPENDICULARITY
- \odot CONCENTRICITY
- \curvearrowright RUNOUT
- C CYLINDRICITY
- \square COUNTERBORE
- \square FLATNESS
- \vee COUNTERSINK

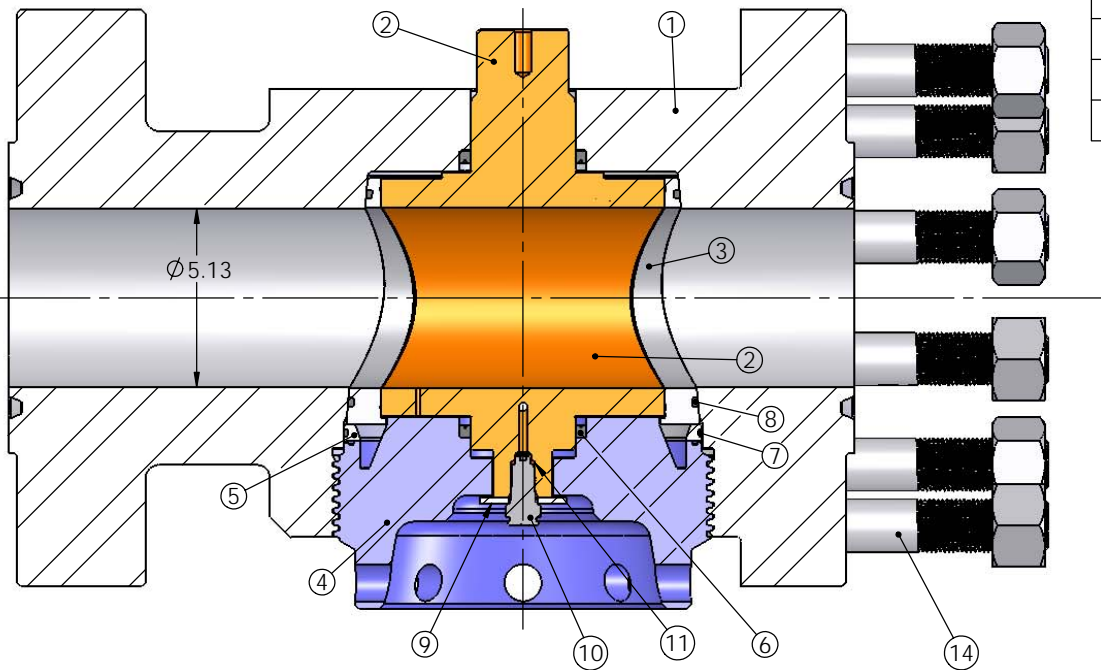
TOLERANCES: .XX ± 0.015
.XXX ± 0.005
$\leq \pm 0.5^\circ$
UNLESS OTHERWISE STATED

ECN NO:	CHANGES INCLUDE:		
ECN DATE:			
MATERIAL SPEC:	TITLE: VALVE-LT, 5"x5 1/8" FLGxSTUD 15K STD *NO ACTUATION	REVISION:	0
RAW MATERIAL DESC:	DWG NO. VA5L-F5C-SF5C-S01	DATE:	1/18/2008
WEIGHT: 1080.40	DRAWN BY: SR	CHK'D: JF	APP'VD: KB
			SHEET 1 OF 2

DO NOT SCALE DRAWING

THIS DRAWING IS PROPRIETARY AND CONFIDENTIAL PROPERTY. THIS DOCUMENT CANNOT BE REPRODUCED OR DISTRIBUTED WITHOUT THE WRITTEN CONSENT OF PHOINIX GLOBAL LLC.

ITEM NO.	PART NUMBER	DESCRIPTION	QTY.
1	VB5L-F5C-SF5C-S01	VLV BODY-LT, 5"x5 1/8" FLGxSTUD 15K STD	1
2	VP5L	PLUG, 5" STD (HEX)	1
3	VIN5L-S01	INSERT SET-LT, 4" STD	1
4	VAN5L	VALVE ADJUSTING NUT-LT, 5" STD	1
5	VAN5L-R	VALVE ADJUSTING NUT RING-LT, 5" STD	1
6	VPS4L-S01	VALVE PLUG SEAL, 4" STD BRASS/BUNA 90	2
7	VOR5L-A-S01	VALVE O-RING, 5" STD BUNA 90 (ADJ NUT)	1
8	VOR5L-I-S01	VALVE O-RING, 5" STD BUNA 90 (INSERT)	2
9	F-WFF-0.750	WASHER, FLAT FENDER 3/4" (2.50" OD)	1
10	GF001B	GREASE FITTING, 3/4"-10 GIANT BUTTON HEAD H2S	3
11	GF003	GREASE FITTING INSERT, BRASS	3
12	F-RP0.313X0.75	ROLL PIN, 5/16"DIA x 3/4"LONG (PLAIN STEEL)	4
13	F-RP0.188X0.75	ROLL PIN, 3/16"DIA x 3/4"LONG (PLAIN STEEL)	4
14	F-FST-5-15K	FLANGE STUD-TAP END, 5 1/8 15K (1 1/2-8)	12



SECTION A-A
SCALE 1 : 5.5



DRAWING STANDARDS:

DIMENSION UNITS ARE INCHES

1. ALL CORNER RADII R0.30

2. BREAK ALL EDGES 0.015 X 45° OR R.015

3. HIGBEE ALL ACME THREADS TO FULL WIDTH

4. REFERENCE DIMENSIONS ARE IN PARENTHESIS

5. MACHINED SURFACES ARE 125 Ra

6. ALL DIAMETERS CONCENTRIC AND ROUND TO ± 0.005

7. TOLERANCES: .XX ± 0.015 < ± 0.5°
.XXX ± 0.005

< ± 0.5°

○ ROUNDNESS

◎ CONCENTRICITY

⊘ CYLINDRICITY

▭ FLATNESS

▽ COUNTERSINK

∥ PARALLELISM

⊥ PERPENDICULARITY

↗ RUNOUT

□ COUNTERBORE

▽ COUNTERSINK

TOLERANCES: .XX ± 0.015

.XXX ± 0.005

< ± 0.5°

UNLESS OTHERWISE STATED

ECN NO:

CHANGES INCLUDE:

ECN DATE:

MATERIAL SPEC:

RAW MATERIAL DESC:

WEIGHT: 1080.40

TITLE: VALVE-LT, 5"x5 1/8" FLGxSTUD 15K STD *NO ACTUATION

DWG NO. VA5L-F5C-SF5C-S01

DRAWN BY: SR

CHK'D: JF

APP'VD: KB

REVISION:

0

DATE:

1/18/2008

SHEET 2 OF 2

DO NOT SCALE DRAWING

THIS DRAWING IS PROPRIETARY AND CONFIDENTIAL PROPERTY. THIS DOCUMENT CANNOT BE REPRODUCED OR DISTRIBUTED WITHOUT THE WRITTEN CONSENT OF PHOENIX GLOBAL LLC.