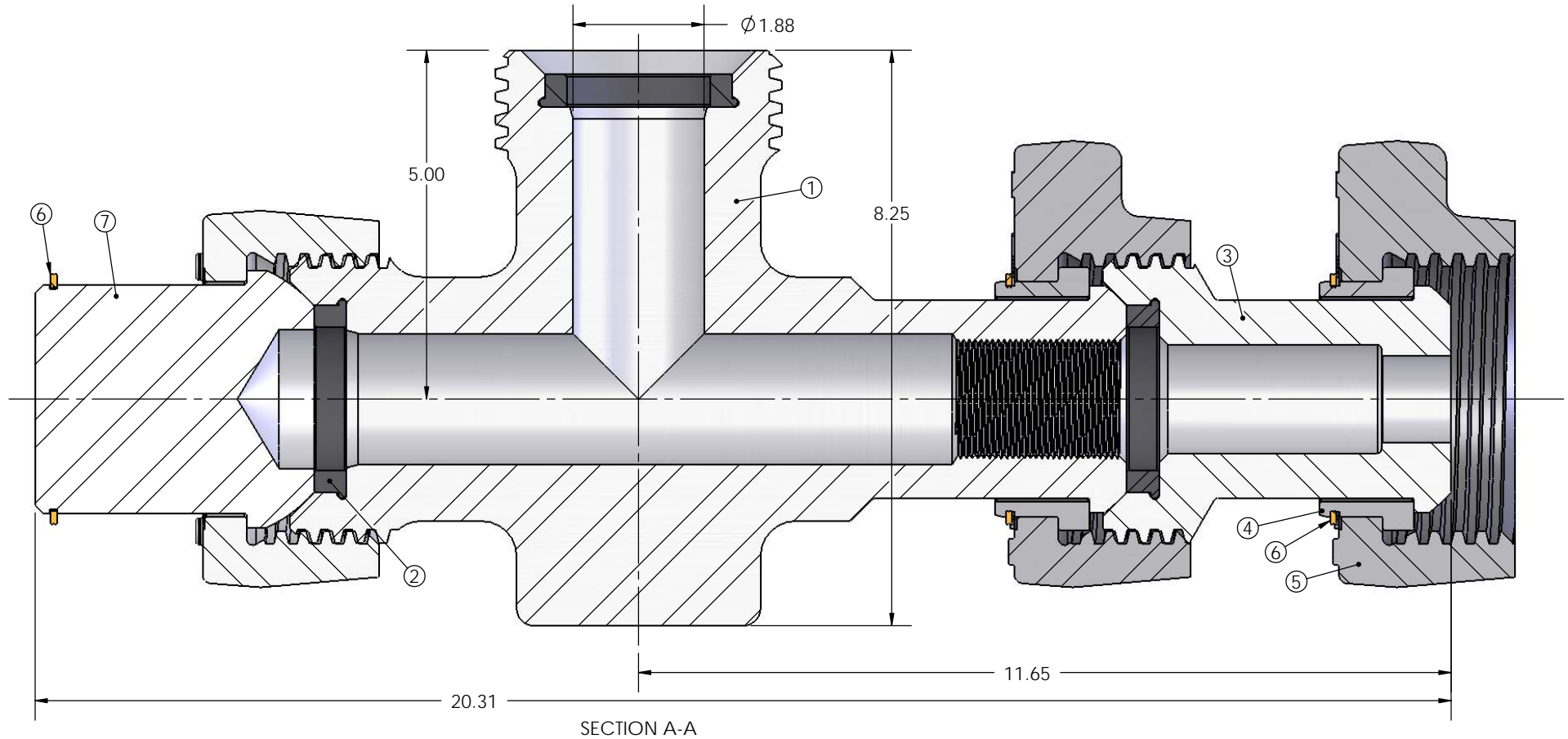


ITEM NO.	PART NUMBER	DESCRIPTION	QTY.
1	CBC2FM-S01	CHOKE BODY, 2"1502 FM STD 15K	1
2	USR2-S01	SEAL RING, 2"602/1002/1502 STD BUNA 90	3
3	CNB001-S01	CHOKE NIPPLE BODY, 2"1502 STD 15K	1
4	UNRC2	NUT RETAINER, 2"1502	2
5	UWN-2C-D-S	WINGNUT, 2"1502 STD 15K DETACHABLE	3
6	URRC2	RETAINER RING, 2"1502	3
7	BB2CM-S01	BLANK BODY, 2"1502 MALE STD 15K	1



**DRAWING STANDARDS:**

DIMENSION UNITS ARE INCHES

- ALL CORNER RADII R0.30
- BREAK ALL EDGES 0.015 X 45° OR R.015
- HIGBEE ALL ACME THREADS TO FULL WIDTH
- REFERENCE DIMENSIONS ARE IN PARENTHESIS
- MACHINED SURFACES ARE 125 Ra
- ALL DIAMETERS CONCENTRIC AND ROUND TO ± 0.005
- TOLERANCES: .XX ± 0.015 <math>\leq \pm 0.5^\circ</math>  
.XXX ± 0.005

<math>\angle \pm 0.5^\circ</math>    // PARALLELISM    TOLERANCES: .XX ± 0.015  
 ○ ROUNDNESS    ⊥ PERPENDICULARITY    .XXX ± 0.005  
 ◎ CONCENTRICITY    ↗ RUNOUT    <math>\leq \pm 0.5^\circ</math>  
 ∅ CYLINDRICITY    ⊓ COUNTERBORE    UNLESS OTHERWISE STATED  
 ▱ FLATNESS    ∨ COUNTERSINK

ECN NO:	CHANGES INCLUDE:		
ECN DATE:			
MATERIAL SPEC:	TITLE: CHOKE-POSITIVE, 2"1502 FM STD 15K		REVISION: 0
RAW MATERIAL DESC:	DWG NO. CAPC2FM-S01		DATE: 3/23/2007
WEIGHT: 80.18	DRAWN BY: SR	CHK'D: JF	APP'V'D: KB
			SHEET 1 OF 1

DO NOT SCALE DRAWING

THIS DRAWING IS PROPRIETARY AND CONFIDENTIAL PROPERTY. THIS DOCUMENT CANNOT BE REPRODUCED OR DISTRIBUTED WITHOUT THE WRITTEN CONSENT OF PHOINIX GLOBAL LLC.