

**DRAWING STANDARDS:**

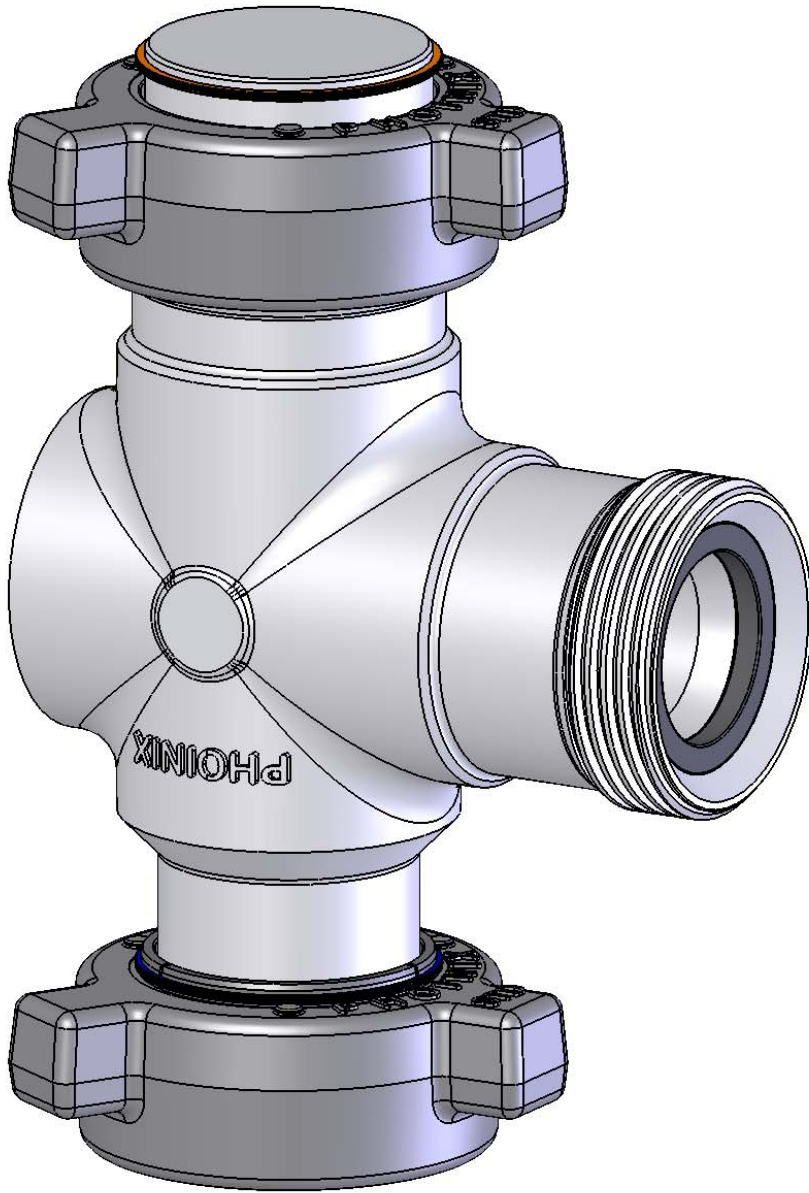
- DIMENSION UNITS ARE INCHES  
 1. ALL CORNER RADII R0.30  
 2. BREAK ALL EDGES 0.015 X 45° OR R.015  
 3. HIGBEE ALL ACME THREADS TO FULL WIDTH  
 4. REFERENCE DIMENSIONS ARE IN PARENTHESIS  
 5. MACHINED SURFACES ARE 125 Ra  
 6. ALL DIAMETERS CONCENTRIC AND ROUND TO ± 0.005  
 7. TOLERANCES: .XX ±0.015 < ±0.5°  
 .XXX ±0.005

- < ±0.5°    // PARALLELISM    TOLERANCES: .XX ±0.015  
 ○ ROUNDNESS    ⊥ PERPENDICULARITY    .XXX ±0.005  
 ◎ CONCENTRICITY    ↗ RUNOUT    < ±0.5°  
 ⌀ CYLINDRICITY    ⊓ COUNTERBORE    UNLESS OTHERWISE STATED  
 ▱ FLATNESS    ∨ COUNTERSINK

|                    |  |           |                    |
|--------------------|--|-----------|--------------------|
| ECN NO:            | CHANGES INCLUDE:                               |           |                    |
| ECN DATE:          |  |           |                    |
| MATERIAL SPEC:     | TITLE: CHOKE-POSITIVE, 3"1502 FM STD 15K 2"MAX |           | REVISION:<br>0     |
| RAW MATERIAL DESC: | DWG NO. CAPC3FM-S01                            |           | DATE:<br>7/24/2008 |
| WEIGHT: 119.85     | DRAWN BY: SR                                   | CHK'D: JF | APP'VD: KB         |
|                    |  |           | SHEET 1 OF 2       |

DO NOT SCALE DRAWING

THIS DRAWING IS PROPRIETARY AND CONFIDENTIAL PROPERTY. THIS DOCUMENT CANNOT BE REPRODUCED OR DISTRIBUTED WITHOUT THE WRITTEN CONSENT OF PHOINIX GLOBAL LLC.



| ITEM NO. | PART NUMBER | DESCRIPTION                               | QTY. |
|----------|-------------|---|------|
| 1        | CBC3FM-S01  | CHOKE BODY, 3"1502 FM STD 15K             | 1    |
| 2        | CBB005-S01  | CHOKE BONNET CAP, 3"1502 STD 15K          | 1    |
| 3        | UWN-3C-D-S  | WINGNUT, 3"1502 STD 15K DETACHABLE        | 2    |
| 4        | USR3-S01    | SEAL RING, 3"602/1002/1502 STD BUNA 90    | 1    |
| 5        | UNRC3       | NUT RETAINER, 3"1502                      | 1    |
| 6        | URRC3       | RETAINER RING, 3"1502                     | 2    |
| 7        | COR001      | CHOKE BONNET O-RING, 3" H2S HSN 90        | 1    |
| 8        | COR001-B    | CHOKE BONNET O-RING BACKUP, 3" H2S HSN 90 | 1    |



**DRAWING STANDARDS:**

DIMENSION UNITS ARE INCHES

1. ALL CORNER RADII R0.03
2. BREAK ALL EDGES 0.015 X 45° OR R.015
3. HIGBEE ALL ACME THREADS TO FULL WIDTH
4. REFERENCE DIMENSIONS ARE IN PARENTHESIS
5. MACHINED SURFACES ARE 125 Ra
6. ALL DIAMETERS CONCENTRIC AND ROUND TO ± 0.005
7. TOLERANCES: .XX ±0.015 <math>\leq \pm 0.5^\circ</math>  
.XXX ±0.005

<math>\leq \pm 0.5^\circ</math>

○ ROUNDNESS

◎ CONCENTRICITY

∅ CYLINDRICITY

▭ FLATNESS

// PARALLELISM

⊥ PERPENDICULARITY

↗ RUNOUT

□ COUNTERBORE

∨ COUNTERSINK

TOLERANCES: .XX ±0.015

.XXX ±0.005

<math>\leq \pm 0.5^\circ</math>  
UNLESS OTHERWISE STATED

ECN NO:

CHANGES INCLUDE:

ECN DATE:

MATERIAL SPEC:

TITLE: CHOKE-POSITIVE, 3"1502 FM STD 15K 2"MAX

RAW MATERIAL DESC:

DWG NO. CAPC3FM-S01

WEIGHT: 119.85

DRAWN BY: SR

CHK'D: JF

APP'V'D: KB

REVISION:

0

DATE:

7/24/2008

SHEET 2 OF 2

DO NOT SCALE DRAWING

THIS DRAWING IS PROPRIETARY AND CONFIDENTIAL PROPERTY. THIS DOCUMENT CANNOT BE REPRODUCED OR DISTRIBUTED WITHOUT THE WRITTEN CONSENT OF PHOINIX GLOBAL LLC.