

DRAWING STANDARDS:

- 1. ALL CORNER RADII R0.30
- 2. BREAK ALL EDGES 0.015 X 45° OR R.015
- 3. HIGBEE ALL ACME THREADS TO FULL WIDTH
- 4. REFERENCE DIMENSIONS ARE IN PARENTHESIS
- 5. MACHINED SURFACES ARE 125 Ra
- 6. ALL DIAMETERS CONCENTRIC AND ROUND TO ± 0.005
- 7. TOLERANCES: .XX ±0.015 $\leq \pm 0.5^\circ$
.XXX ±0.005

- $\angle \pm 0.5^\circ$
- \parallel PARALLELISM
- \bigcirc ROUNDNESS
- \perp PERPENDICULARITY
- \odot CONCENTRICITY
- \curvearrowright RUNOUT
- C CYLINDRICITY
- \sqcup COUNTERBORE
- \square FLATNESS
- ∇ COUNTERSINK

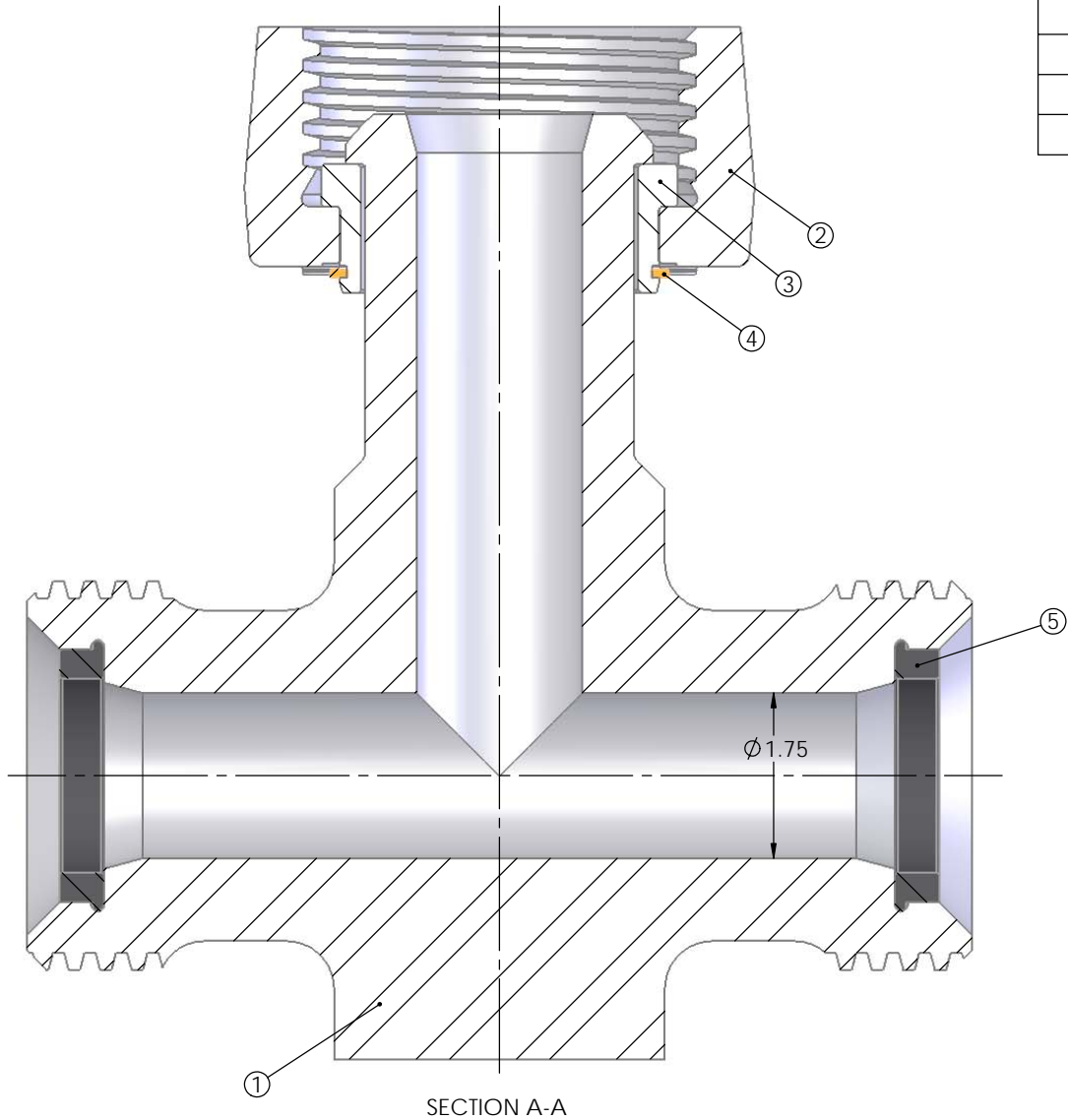
TOLERANCES: .XX ±0.015
.XXX ±0.005
$\leq \pm 0.5^\circ$
UNLESS OTHERWISE STATED

| | | | |
|--------------------|------------------|--------------------------------|--------------------|
| ECN NO: | CHANGES INCLUDE: | | |
| ECN DATE: | | | |
| MATERIAL SPEC: | | TITLE: TEE, 2"1502 FMF STD 15K | REVISION: 0 |
| RAW MATERIAL DESC: | | DWG NO. FTAC2FMF-S01 | DATE: 8/24/2006 |
| WEIGHT: 43.27 | DRAWN BY: KB | CHK'D: JF | APPV'D: SR |
| | | | SHEET 1 OF 2 |

DO NOT SCALE DRAWING

THIS DRAWING IS PROPRIETARY AND CONFIDENTIAL PROPERTY. THIS DOCUMENT CANNOT BE REPRODUCED OR DISTRIBUTED WITHOUT THE WRITTEN CONSENT OF PHOINIX GLOBAL LLC.

| ITEM NO. | PART NUMBER | DESCRIPTION | QTY. |
|----------|--------------|---|------|
| 1 | FTBC2FMF-S01 | TEE BODY, 2"1502 FMF STD 15K | 1 |
| 2 | UWN-2C-D-S | WINGNUT, 2"1502 STD 15K DETACHABLE | 1 |
| 3 | UNRC2 | NUT RETAINER, 2"1502 | 1 |
| 4 | URRC2 | RETAINER RING, 2"1502 | 1 |
| 5 | USR2-S01 | SEAL RING, 2"602/1002/1502 STD BUNA 90 | 2 |



SECTION A-A

DRAWING STANDARDS:

DIMENSION UNITS ARE INCHES

1. ALL CORNER RADII R0.30
2. BREAK ALL EDGES 0.015 X 45° OR R.015
3. HIGBEE ALL ACME THREADS TO FULL WIDTH
4. REFERENCE DIMENSIONS ARE IN PARENTHESIS
5. MACHINED SURFACES ARE 125 Ra
6. ALL DIAMETERS CONCENTRIC AND ROUND TO ± 0.005
7. TOLERANCES: .XX ±0.015 < ±0.5°
.XXX ±0.005

< ±0.5°

○ ROUNDNESS

◎ CONCENTRICITY

⊘ CYLINDRICITY

▭ FLATNESS

// PARALLELISM

⊥ PERPENDICULARITY

↗ RUNOUT

□ COUNTERBORE

∨ COUNTERSINK

TOLERANCES: .XX ±0.015

.XXX ±0.005

< ±0.5°

UNLESS OTHERWISE STATED

ECN NO:

CHANGES INCLUDE:

ECN DATE:

MATERIAL SPEC:

TITLE: TEE, 2"1502 FMF STD 15K

RAW MATERIAL DESC:

DWG NO. FTAC2FMF-S01

WEIGHT: 43.27

DRAWN BY: KB

CHK'D: JF

APP'V'D: SR

REVISION:

0

DATE:

8/24/2006

SHEET 2 OF 2



DO NOT SCALE DRAWING

THIS DRAWING IS PROPRIETARY AND CONFIDENTIAL PROPERTY. THIS DOCUMENT CANNOT BE REPRODUCED OR DISTRIBUTED WITHOUT THE WRITTEN CONSENT OF PHOINIX GLOBAL LLC.