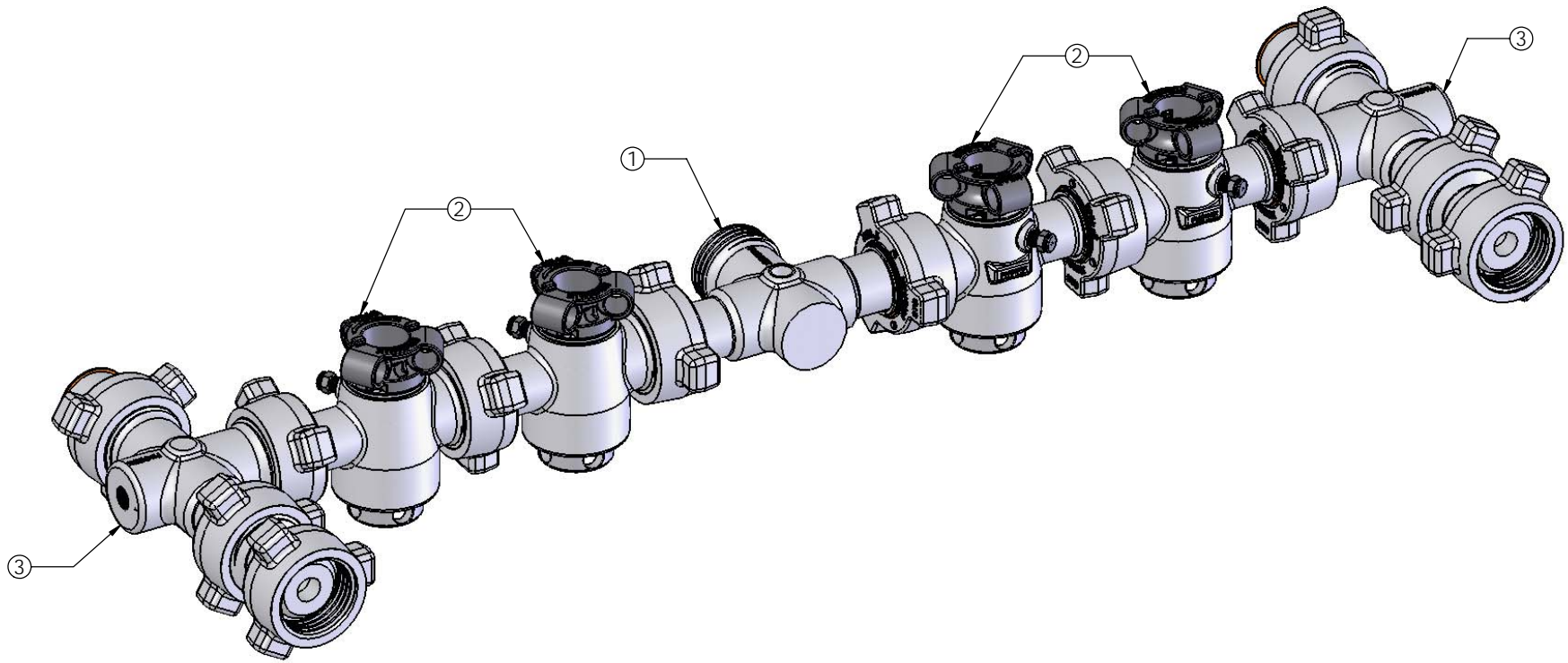


ITEM NO.	PART NUMBER	DESCRIPTION	Qty
1	FTAC2MFM-S01T	TEE, 2"1502 MFM STD 15K 9/16"ACLV	1
2	VA1L-2CFM-S01	VALVE-LT, 1"x2"1502FM STD 15K	4
3	CAPC2FM-S01-TC	CHOKE-POSITIVE, 2"1502 FM STD 15K w9/16"ACLV TARGET	2



**DRAWING STANDARDS:**

DIMENSION UNITS ARE INCHES

1. ALL CORNER RADII R0.30
2. BREAK ALL EDGES 0.015 X 45° OR R.015
3. HIGBEE ALL ACME THREADS TO FULL WIDTH
4. REFERENCE DIMENSIONS ARE IN PARENTHESIS
5. MACHINED SURFACES ARE 125 Ra
6. ALL DIAMETERS CONCENTRIC AND ROUND TO ± 0.005
7. TOLERANCES: .XX ±0.015 <math>\leq \pm 0.5^\circ</math>  
.XXX ±0.005

<math>\leq \pm 0.5^\circ</math>

○ ROUNDNESS

◎ CONCENTRICITY

⊘ CYLINDRICITY

▭ FLATNESS

// PARALLELISM

⊥ PERPENDICULARITY

↗ RUNOUT

□ COUNTERBORE

∨ COUNTERSINK

TOLERANCES: .XX ±0.015  
.XXX ±0.005  
<math>\leq \pm 0.5^\circ</math>  
UNLESS OTHERWISE STATED

ECN NO:

CHANGES INCLUDE:

ECN DATE:

MATERIAL SPEC:

RAW MATERIAL DESC:

WEIGHT: 422.53

TITLE: MANIFOLD, 1"LT FLOW P/P-CHOKE STD 15K-TAPS

DWG NO. MU-1L4-FPP-S01T

DRAWN BY: SR

CHK'D: JF

APP'VD: KB

REVISION:

0

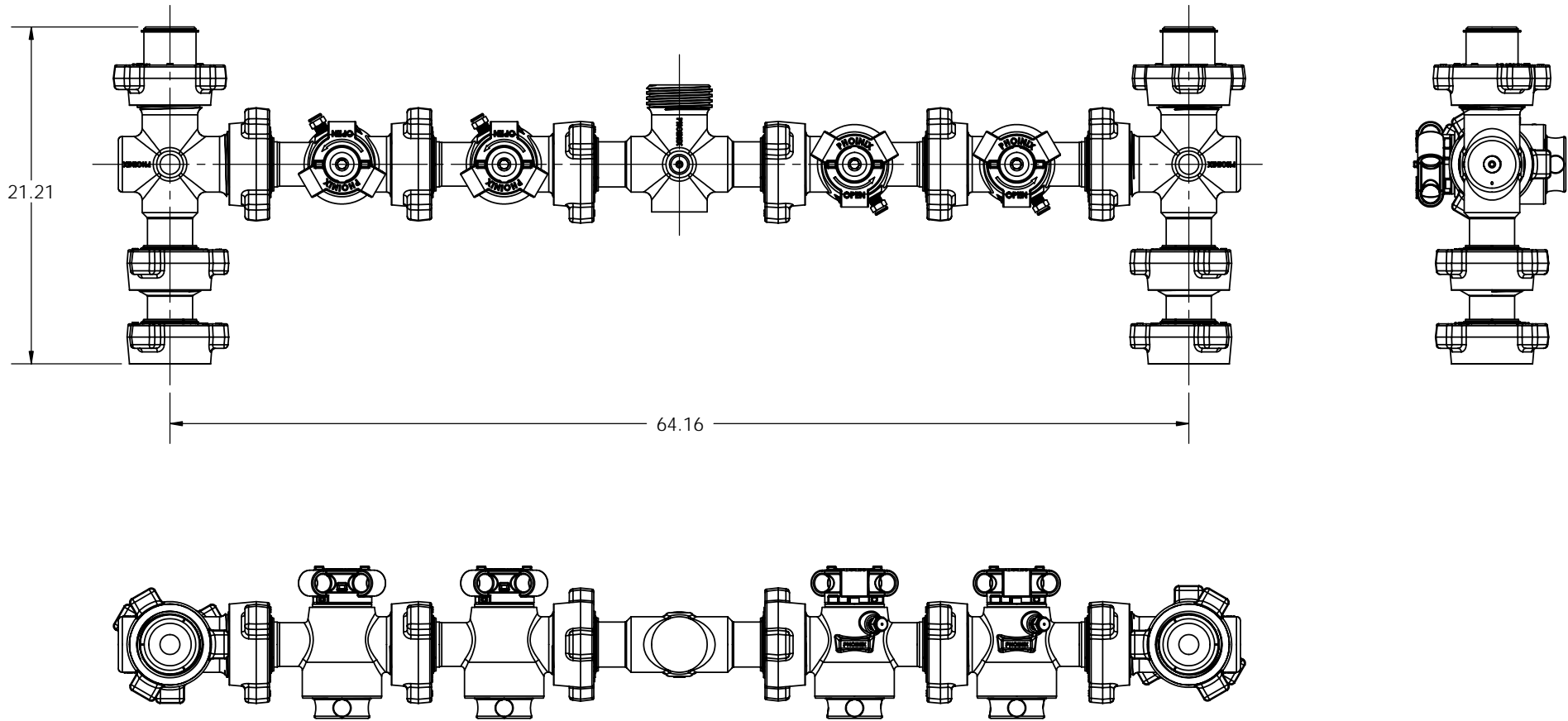
DATE:

07/13/2007

SHEET 1 OF 2

DO NOT SCALE DRAWING

THIS DRAWING IS PROPRIETARY AND CONFIDENTIAL PROPERTY. THIS DOCUMENT CANNOT BE REPRODUCED OR DISTRIBUTED WITHOUT THE WRITTEN CONSENT OF PHOINIX GLOBAL LLC.



**DRAWING STANDARDS:**

- 1. ALL CORNER RADII R0.03
- 2. BREAK ALL EDGES 0.015 X 45° OR R.015
- 3. HIGBEE ALL ACME THREADS TO FULL WIDTH
- 4. REFERENCE DIMENSIONS ARE IN PARENTHESIS
- 5. MACHINED SURFACES ARE 125 Ra
- 6. ALL DIAMETERS CONCENTRIC AND ROUND TO ± 0.005
- 7. TOLERANCES: .XX ±0.015 <math>\leq \pm 0.5^\circ</math>  
.XXX ±0.005

- $\angle \pm 0.5^\circ$
- $\parallel$  PARALLELISM
- $\bigcirc$  ROUNDNESS
- $\perp$  PERPENDICULARITY
- $\odot$  CONCENTRICITY
- $\curvearrowright$  RUNOUT
- $\text{Cyl}$  CYLINDRICITY
- $\square$  COUNTERBORE
- $\square$  FLATNESS
- $\nabla$  COUNTERSINK

TOLERANCES: .XX ±0.015  
.XXX ±0.005  
<math>\leq \pm 0.5^\circ</math>  
UNLESS OTHERWISE STATED

ECN NO:	CHANGES INCLUDE:		
ECN DATE:			
MATERIAL SPEC:		TITLE: MANIFOLD, 1"LT FLOW P/P-CHOKE STD 15K-TAPS	REVISION: 0
RAW MATERIAL DESC:		DWG NO. MU-1L4-FPP-S01T	DATE: 07/13/2007
WEIGHT: 422.53	DRAWN BY: SR	CHK'D: JF	APPV'D: KB
			SHEET 2 OF 2

DO NOT SCALE DRAWING

THIS DRAWING IS PROPRIETARY AND CONFIDENTIAL PROPERTY. THIS DOCUMENT CANNOT BE REPRODUCED OR DISTRIBUTED WITHOUT THE WRITTEN CONSENT OF PHOINIX GLOBAL LLC.