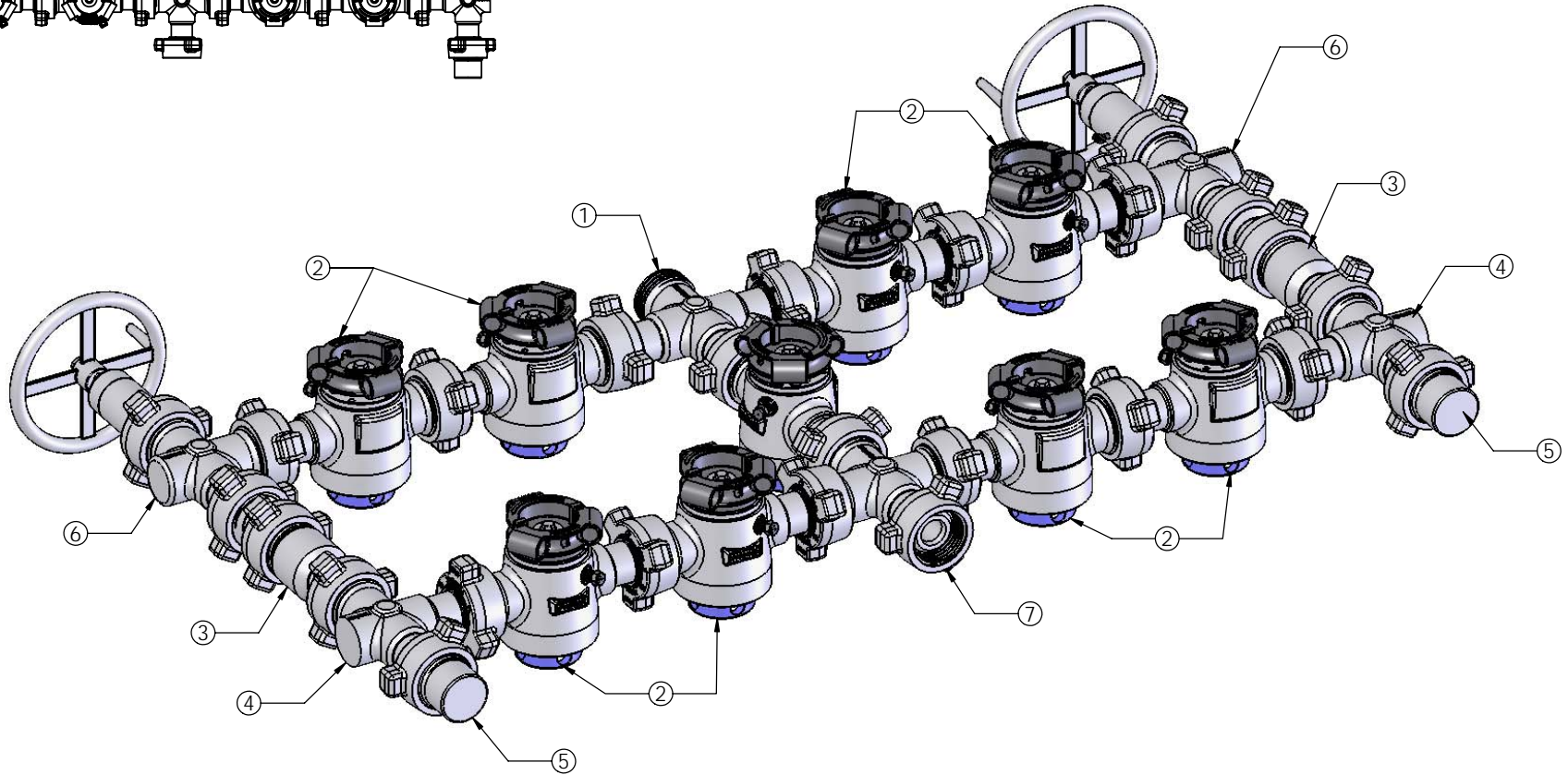


ITEM NO.	PART NUMBER	DESCRIPTION	Qty
1	FXAC2FMMM-S01	CROSS, 2"1502 FMMM STD 15K	1
2	VA2L-2CFM-S01	VALVE-LT, 2"x2"1502FM STD 15K	9
3	SAC2FM-09.19-S01	SPACER, 2"1502 FM STD 15K x 9.19"	2
4	FTAC2FMM-S01	TEE, 2"1502 FMM STD 15K	2
5	BA2CF-S01	BLANK ASSY, 2"1502 FEMALE STD 15K	2
6	CAAC2FM-S01	CHOKE-ADJUSTABLE, 2"1502 FM STD 15K	2
7	FXAC2FFFM-S01	CROSS, 2"1502 FFFM STD 15K	1



DRAWING STANDARDS:

DIMENSION UNITS ARE INCHES

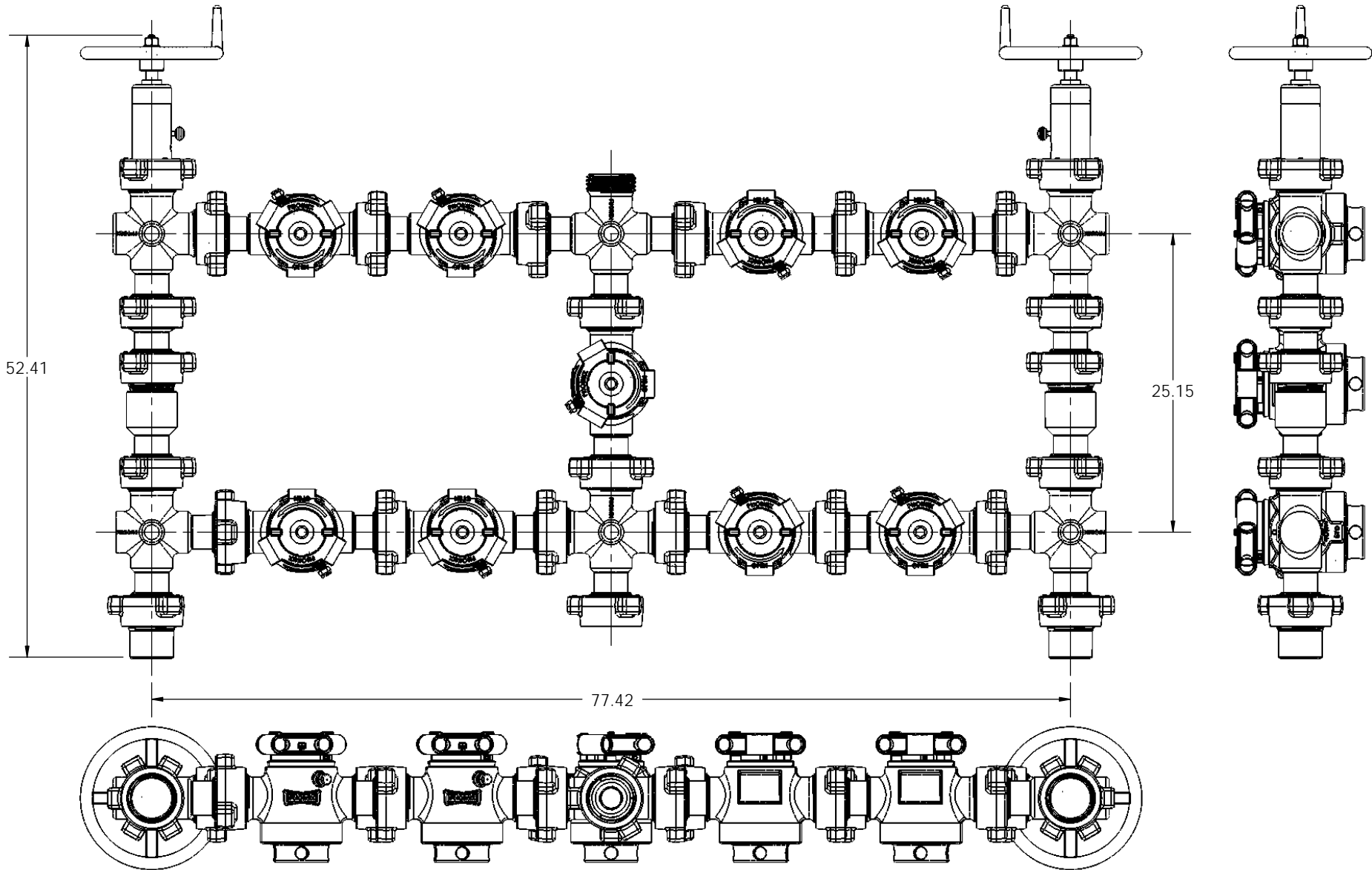
- ALL CORNER RADII R0.30
- BREAK ALL EDGES 0.015 X 45° OR R.015
- HIGBEE ALL ACME THREADS TO FULL WIDTH
- REFERENCE DIMENSIONS ARE IN PARENTHESIS
- MACHINED SURFACES ARE 125 Ra
- ALL DIAMETERS CONCENTRIC AND ROUND TO ± 0.005
- TOLERANCES: .XX ±0.015 $\leq \pm 0.5^\circ$
.XXX ±0.005

$\angle \pm 0.5^\circ$	∥ PARALLELISM	TOLERANCES: .XX ±0.015
○ ROUNDNESS	⊥ PERPENDICULARITY	.XXX ±0.005
◎ CONCENTRICITY	↗ RUNOUT	$\leq \pm 0.5^\circ$
⊘ CYLINDRICITY	□ COUNTERBORE	UNLESS OTHERWISE STATED
▭ FLATNESS	∨ COUNTERSINK	

ECN NO:	CHANGES INCLUDE:		
ECN DATE:			
MATERIAL SPEC:		TITLE: MANIFOLD, 2"2" BYPASS A/A-CHOKE STD 15K	REVISION: 0
RAW MATERIAL DESC:		DWG NO. MU-2L9-BAA-S01	DATE: 3/20/2007
WEIGHT: 1305.93		DRAWN BY: SR	CHK'D: JF
		APP'V'D: KB	SHEET 1 OF 2

DO NOT SCALE DRAWING

THIS DRAWING IS PROPRIETARY AND CONFIDENTIAL PROPERTY. THIS DOCUMENT CANNOT BE REPRODUCED OR DISTRIBUTED WITHOUT THE WRITTEN CONSENT OF PHOINIX GLOBAL LLC.



DRAWING STANDARDS:

- 1. ALL CORNER RADII R0.03
- 2. BREAK ALL EDGES 0.015 X 45° OR R.015
- 3. HIGBEE ALL ACME THREADS TO FULL WIDTH
- 4. REFERENCE DIMENSIONS ARE IN PARENTHESIS
- 5. MACHINED SURFACES ARE 125 Ra
- 6. ALL DIAMETERS CONCENTRIC AND ROUND TO ± 0.005
- 7. TOLERANCES: .XX ±0.015 $\leq \pm 0.5^\circ$
.XXX ±0.005

- $\leq \pm 0.5^\circ$
- ROUNDNESS
- ◎ CONCENTRICITY
- ⊘ CYLINDRICITY
- ▭ FLATNESS
- ∥ PARALLELISM
- ⊥ PERPENDICULARITY
- ↗ RUNOUT
- COUNTERBORE
- ∨ COUNTERSINK

TOLERANCES: .XX ±0.015
.XXX ±0.005
$\leq \pm 0.5^\circ$
UNLESS OTHERWISE STATED

ECN NO:	CHANGES INCLUDE:		
ECN DATE:			
MATERIAL SPEC:		TITLE: MANIFOLD, 2" 1/2" BYPASS A/A-CHOKE STD 15K	REVISION: 0
RAW MATERIAL DESC:		DWG NO. MU-2L9-BAA-S01	DATE: 3/20/2007
WEIGHT: 1305.93		DRAWN BY: SR CHK'D: JF APP'V'D: KB	SHEET 2 OF 2

DO NOT SCALE DRAWING

THIS DRAWING IS PROPRIETARY AND CONFIDENTIAL PROPERTY. THIS DOCUMENT CANNOT BE REPRODUCED OR DISTRIBUTED WITHOUT THE WRITTEN CONSENT OF PHOINIX GLOBAL LLC.