

DRAWING STANDARDS:

DIMENSION UNITS ARE INCHES

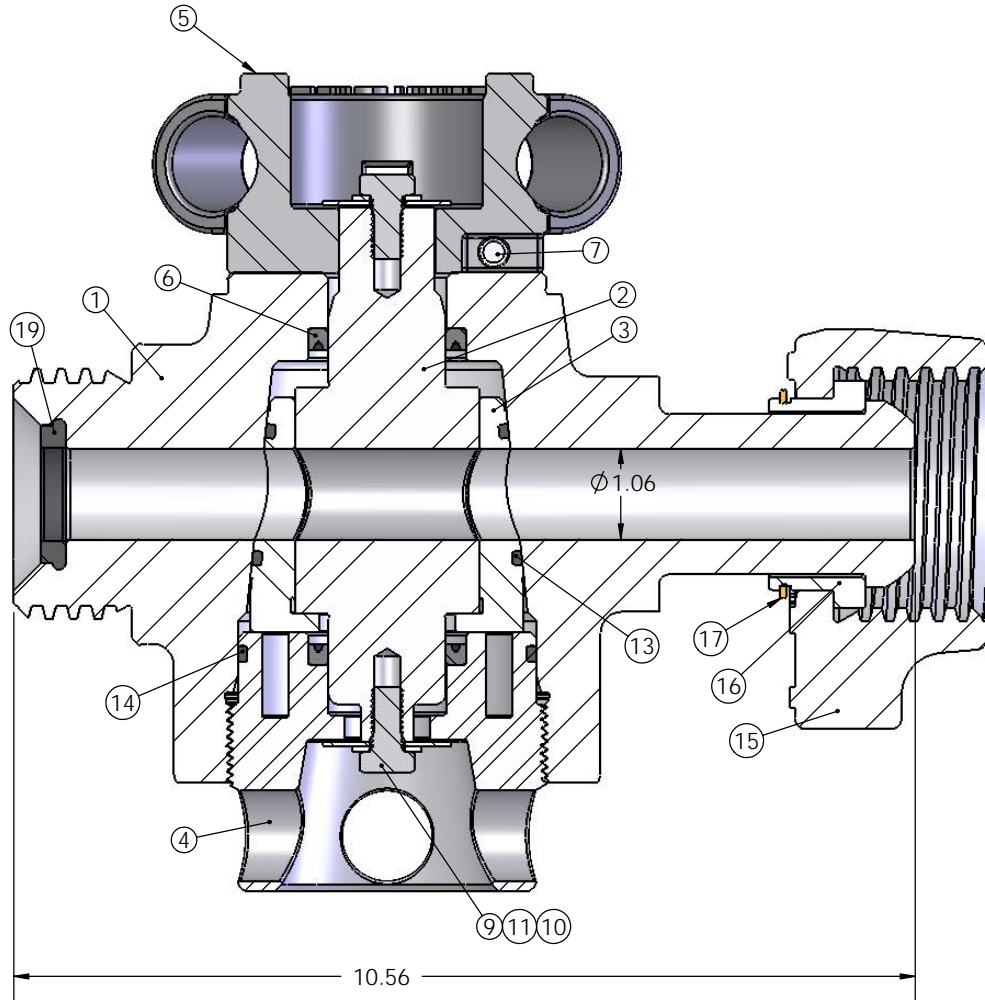
- ALL CORNER RADII R0.30
- BREAK ALL EDGES 0.015 X 45° OR R.015
- HIGBEE ALL ACME THREADS TO FULL WIDTH
- REFERENCE DIMENSIONS ARE IN PARENTHESIS
- MACHINED SURFACES ARE 125 Ra
- ALL DIAMETERS CONCENTRIC AND ROUND TO ±0.005
- TOLERANCES: .XX ±0.015 $\leq \pm 0.5^\circ$
.XXX ±0.005 $\leq \pm 0.5^\circ$

$\leq \pm 0.5^\circ$ // PARALLELISM TOLERANCES: .XX ±0.015
 ○ ROUNDNESS ⊥ PERPENDICULARITY .XXX ±0.005
 ◎ CONCENTRICITY ↗ RUNOUT $\leq \pm 0.5^\circ$
 ∅ CYLINDRICITY ⊓ COUNTERBORE UNLESS OTHERWISE STATED
 ▭ FLATNESS ∇ COUNTERSINK

ECN NO:	CHANGES INCLUDE:		
ECN DATE:			
MATERIAL SPEC:	TITLE: VALVE-LT, 1"x1"1502FM STD 15K		REVISION: 0
RAW MATERIAL DESC:	DWG NO. VA1L-1CFM-S01		DATE: 3/28/2007
WEIGHT: 42.94	DRAWN BY: KB	CHK'D: JF	APPV'D: SR
			SHEET 1 OF 2

DO NOT SCALE DRAWING

THIS DRAWING IS PROPRIETARY AND CONFIDENTIAL PROPERTY. THIS DOCUMENT CANNOT BE REPRODUCED OR DISTRIBUTED WITHOUT THE WRITTEN CONSENT OF PHOINIX GLOBAL LLC.



ITEM NO.	PART NUMBER	DESCRIPTION	QTY.
1	VB1L-1CFM-S01	VLV BODY-LT, 1"x1"1502FM STD 15K	1
2	VP1L-S01	PLUG-LT, 1" STD	1
3	VIN1L	INSERT SET-LT, 1" STD	1
4	VAN1L-H01	VALVE ADJUSTING NUT-LT, 1" H2S	1
5	VH1L	VALVE HANDLE 1"	1
6	VPS1L-S01	VALVE PLUG SEAL, 1" STD BRASS/BUNA 90	2
7	F-SS0.375X0.75-D	SET SCREW, SOCKET HD 3/8"-16 x 0.75"LONG DOGPOINT	2
8	F-SHC0.38-16X0.50-G5	CAP SCREW, SOC HD 3/8"-16 x 0.50"LONG	1
9	F-HHC0.38-16X0.75-G8	CAP SCREW, HEX HD 3/8"-16 x 0.75"LONG	2
10	F-WFF-0.375	WASHER, FLAT FENDER 3/8" (1.50"OD)	2
11	F-WFS-0.375	WASHER, FLAT STD 3/8"	2
12	F-RP0.313X0.75	ROLL PIN, 5/16"DIA x 3/4"LONG (PLAIN STEEL)	2
13	VOR1L-I-S01	VALVE O-RING, 1" STD BUNA 90 (INSERT)	2
14	VOR1L-A-S01	VALVE O-RING, 1" STD BUNA 90 (ADJ NUT)	1
15	UWN-1C-D	WINGNUT, 1"1502 STD 15K DETACHABLE	1
16	UNRC1	NUT RETAINER, 1"1502	1
17	URRC1	RETAINER RING, 1"1502	1
18	GF001	GREASE FITTING, 3/4"-10 GIANT BUTTON HEAD H2S	1
19	USR1-S01	SEAL RING, 1"1502 STD BUNA 80	1



DRAWING STANDARDS:

DIMENSION UNITS ARE INCHES
 1. ALL CORNER RADII R0.03
 2. BREAK ALL EDGES 0.015 X 45° OR R.015
 3. HIGBEE ALL ACME THREADS TO FULL WIDTH
 4. REFERENCE DIMENSIONS ARE IN PARENTHESIS
 5. MACHINED SURFACES ARE 125 Ra
 6. ALL DIAMETERS CONCENTRIC AND ROUND TO ± 0.005
 7. TOLERANCES: .XX ± 0.015 $\leq \pm 0.5^\circ$
 .XXX ± 0.005 $\leq \pm 0.5^\circ$
 UNLESS OTHERWISE STATED

∠ ± 0.5° // PARALLELISM
 ○ ROUNDNESS ⊥ PERPENDICULARITY
 ◎ CONCENTRICITY ↗ RUNOUT
 ∅ CYLINDRICITY ⊔ COUNTERBORE
 ▭ FLATNESS ∇ COUNTERSINK

ECN NO: CHANGES INCLUDE:

ECN DATE:

MATERIAL SPEC:

RAW MATERIAL DESC:

WEIGHT: 42.94

TITLE: VALVE-LT, 1"x1"1502FM STD 15K

DWG NO. VA1L-1CFM-S01

DRAWN BY: KB CHK'D: JF APPV'D: SR

REVISION:

0

DATE:

3/28/2007

DO NOT SCALE DRAWING

THIS DRAWING IS PROPRIETARY AND CONFIDENTIAL PROPERTY. THIS DOCUMENT CANNOT BE REPRODUCED OR DISTRIBUTED WITHOUT THE WRITTEN CONSENT OF PHOINIX GLOBAL LLC.

SHEET 2 OF 2