

**DRAWING STANDARDS:**

DIMENSION UNITS ARE INCHES

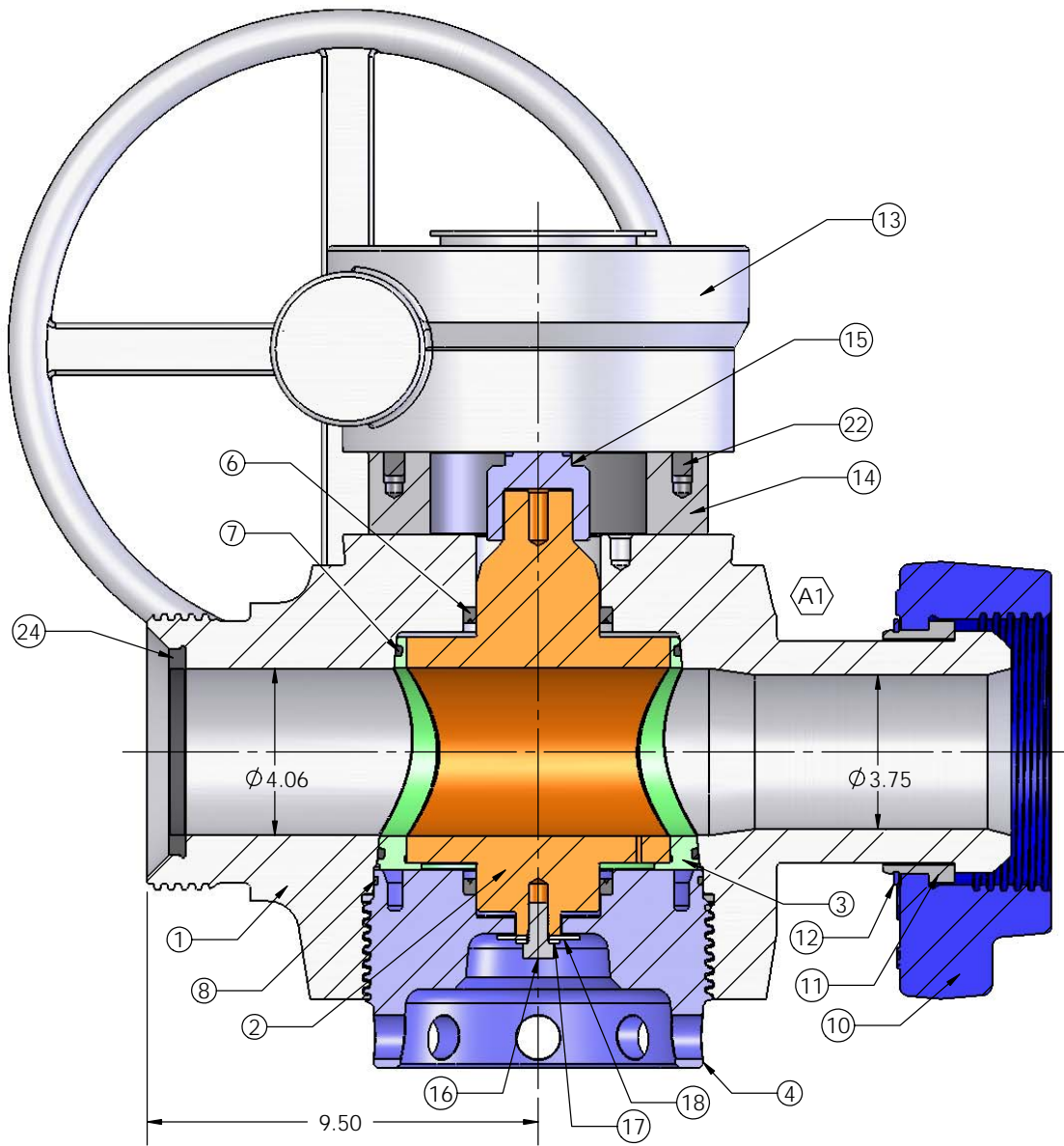
1. ALL CORNER RADII R0.30
2. BREAK ALL EDGES 0.015 X 45° OR R.015
3. HIGBEE ALL ACME THREADS TO FULL WIDTH
4. REFERENCE DIMENSIONS ARE IN PARENTHESIS
5. MACHINED SURFACES ARE 125 Ra
6. ALL DIAMETERS CONCENTRIC AND ROUND TO ± 0.005
7. TOLERANCES: .XX ± 0.015 <math>\leq \pm 0.5^\circ</math>  
.XXX ± 0.005

<math>\leq \pm 0.5^\circ</math>	// PARALLELISM	TOLERANCES: .XX ± 0.015
○ ROUNDNESS	⊥ PERPENDICULARITY	.XXX ± 0.005
◎ CONCENTRICITY	↗ RUNOUT	<math>\leq \pm 0.5^\circ</math>
⊘ CYLINDRICITY	⊓ COUNTERBORE	UNLESS OTHERWISE STATED
▭ FLATNESS	∨ COUNTERSINK	

ECN NO: 49	CHANGES INCLUDE: 1. REPLACED BAR WITH WITH FORGED BODY	REVISION: A
ECN DATE: 8/8/2007		DATE: 8/24/2006
MATERIAL SPEC:	TITLE: VALVE-4"LT, 4"1502FM STD 15K	
RAW MATERIAL DESC:	DWG NO. VA4L-4CFM-G-S01	
WEIGHT: 506.59	DRAWN BY: KB    CHK'D: JF    APP'V'D: SR	SHEET 1 OF 2

DO NOT SCALE DRAWING

THIS DRAWING IS PROPRIETARY AND CONFIDENTIAL PROPERTY. THIS DOCUMENT CANNOT BE REPRODUCED OR DISTRIBUTED WITHOUT THE WRITTEN CONSENT OF PHOINIX GLOBAL LLC.



ITEM	PART NUMBER	DESCRIPTION	QTY.
1	VB4L-4CFM-S01	VLV BODY-LT, 4"x4"1502FM STD 15K	1
2	VP4L-S01	PLUG, 4" STD	1
3	VIN4L-S01	INSERT SET-LT, 4" STD	1
4	VAN4L	VALVE ADJUSTING NUT, 4" LT H2S	1
5	GF001	GREASE FITTING, 3/4"-10 GIANT BUTTON HEAD H2S	2
6	VPS4L-S01	VALVE PLUG SEAL, 4" STD BRASS/BUNA 90	2
7	VOR4L-I-S01	VALVE O-RING, 4" STD BUNA 90 (INSERT)	2
8	VOR4L-A-S01	VALVE O-RING, 4" STD BUNA 90 (ADJ NUT)	1
9	F-RP0.313X0.75	ROLL PIN, 5/16"DIA x 3/4"LONG (PLAIN STEEL)	4
10	UWN-4C-D-S	WINGNUT, 4"1502 STD 15K DETACHABLE	1
11	UNRC4	NUT RETAINER, 4"1502	1
12	URRC4	RETAINER RING, 4"1502	1
13	GO-12M	GEAR OPERATOR, WMI 12M w/16" HANDWHEEL	1
14	AP001	ACTUATOR PLATE, GEAR OPERATOR 12M	1
15	AA-HEXB01	ACT ADAPTER, HEX "B" TO 1.88" SHAFT/KEYWAY	1
16	F-HHC0.50-13X1.00	CAP SCREW, HEX HD 1/2"-13 x 01.00"LONG GRADE 8	1
17	F-WFS-0.500	WASHER, FLAT STD 1/2"	1
18	F-WFF-0.500	WASHER, FLAT FENDER 1/2"	1
19	F-SHC0.63-11X1.25-G5	CAP SCREW, SOC HD 5/8"-11 x 01.25"LONG	4
20	F-WLH-0.63	WASHER, LOCKING HIGH-COLLAR 5/8"	4
21	F-WLH-0.50	WASHER, LOCKING HIGH-COLLAR 1/2"	4
22	F-SHC0.50-13X0.50-G5	CAP SCREW, SOC HD 1/2"-13 x 00.50"LONG	4
23	F-KS0.500X1.5	KEY STOCK, 1/2" x 1.50"LONG	2
24	USR4-S01	SEAL RING, 4"602/1002/1502 STD BUNA 90	1



**DRAWING STANDARDS:**

- DIMENSION UNITS ARE INCHES  
 1. ALL CORNER RADII R0.30  
 2. BREAK ALL EDGES 0.015 X 45° OR R.015  
 3. HIGBEE ALL ACME THREADS TO FULL WIDTH  
 4. REFERENCE DIMENSIONS ARE IN PARENTHESIS  
 5. MACHINED SURFACES ARE 125 Ra  
 6. ALL DIAMETERS CONCENTRIC AND ROUND TO ± 0.005  
 7. TOLERANCES: .XX ± 0.015 < ± 0.5°  
 .XXX ± 0.005

- < ± 0.5°    // PARALLELISM  
 ○ ROUNDNESS    ⊥ PERPENDICULARITY  
 ◎ CONCENTRICITY    ↗ RUNOUT  
 ⌀ CYLINDRICITY    ⊓ COUNTERBORE  
 ▭ FLATNESS    ∨ COUNTERSINK

TOLERANCES: .XX ± 0.015  
 .XXX ± 0.005  
 < ± 0.5°  
 UNLESS OTHERWISE STATED

ECN NO:

49

ECN DATE:

8/8/2007

CHANGES INCLUDE:

1. REPLACED BAR WITH WITH FORGED BODY  
 KB

MATERIAL SPEC:

RAW MATERIAL DESC:

WEIGHT: 506.59

TITLE: VALVE-4"LT, 4"1502FM STD 15K

DWG NO. VA4L-4CFM-G-S01

DRAWN BY: KB    CHK'D: JF    APP'V'D: SR

REVISION:

A

DATE:

8/24/2006

SHEET 2 OF 2

DO NOT SCALE DRAWING

THIS DRAWING IS PROPRIETARY AND CONFIDENTIAL PROPERTY. THIS DOCUMENT CANNOT BE REPRODUCED OR DISTRIBUTED WITHOUT THE WRITTEN CONSENT OF PHOENIX GLOBAL LLC.